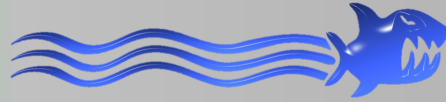
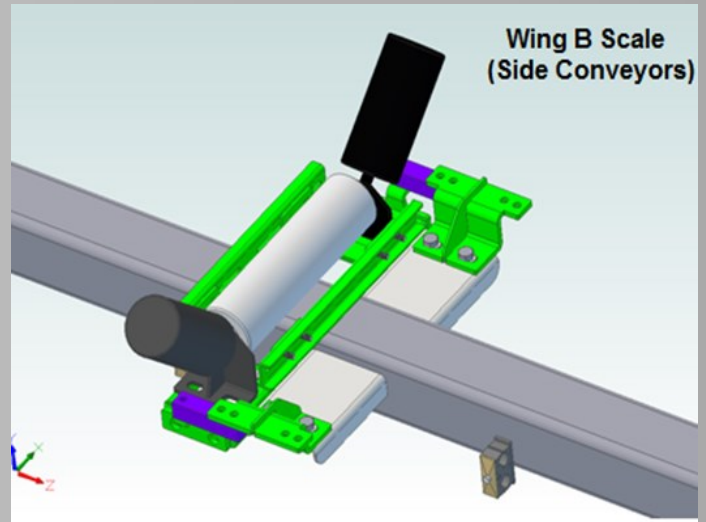
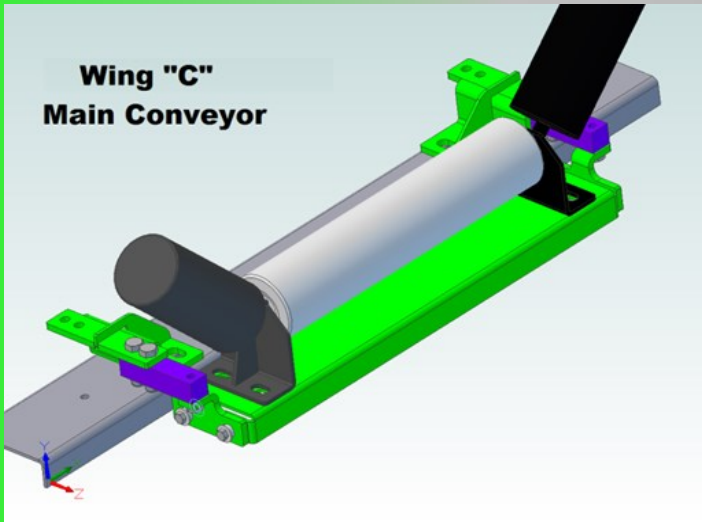


MCR Technologies Group, Inc.

Home of the *Weigh Shark*, not just another scale company!



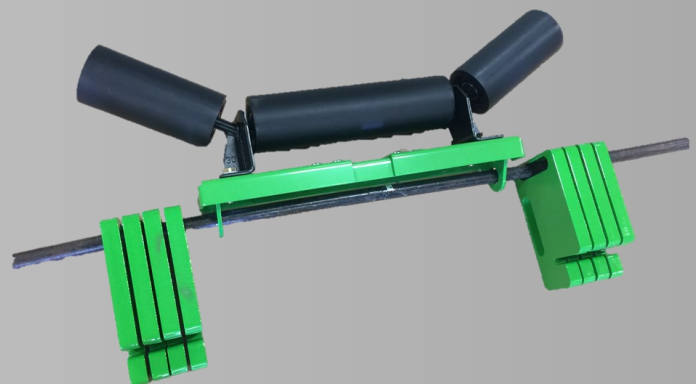
Weigh Shark Wing Scale



Features and Benefits:

- ⇒ Easy Bolt on Application
- ⇒ No Welding or Cutting
- ⇒ No Removal of Belt
- ⇒ Adjustable Widths
- ⇒ Calibration Brackets Attached

* Patent Pending



MCR Technologies Group, Inc
P.O. Box 1016 Sterling, IL 61081
815.622.3181
www.weighshark.com
sales@weighshark.com

MCR Technologies Group, Inc is a North American Distributor
for the following German Companies



Digital Metal Detector



Analog Metal Detector