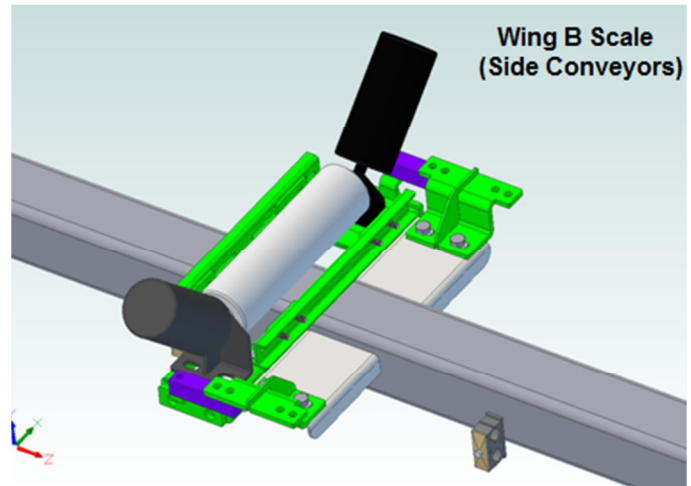
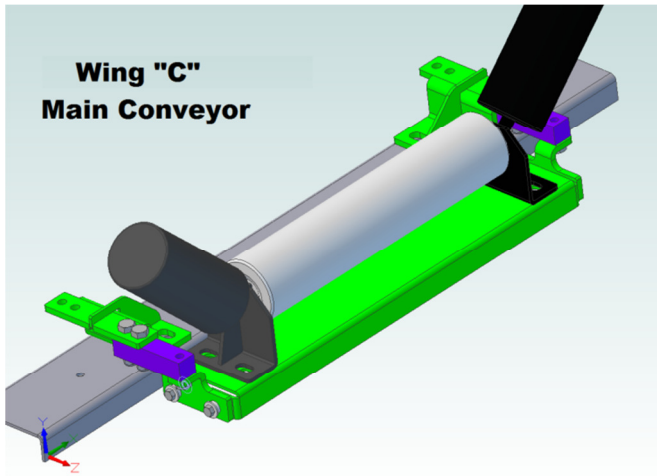


WEIGH SHARK WING SCALE



- Easy Bolt on Application
- No Cutting or Welding

- No Removal of Belt
- Adjustable Widths

**Also Now Available with
our "NEW" Magnetic
Speed Encoder**



MCR Technologies Group, Inc.
PO Box 1016 Sterling, IL 61081
815.622.3181 fax 815.622.0819
www.weighshark.com sales@weighshark.com